

DESCRIPTION:

AMC MODEL SWN-218-2DR/DT-SIS IS A SINGLE SUPPLY, SINGLE POLE TWO THROW, REFLECTIVE OR NON-REFLECTIVE/ABSORPTIVE SWITCH MODULE WITH VERY LOW INSERTION LOSS AND WITH INTEGRAL TTL DRIVER, DESIGNED FOR BROAD BAND OPERATIONS.

SPECIFICATIONS:

- FREQUENCY: 0.5 GHz TO 18 GHz
- INSERTION LOSS: REFLECTIVE: 2.5db
..... ABSORPTIVE: 3.0db
- ISOLATION: 0.5 GHz TO 2 GHz: 55db
..... 2 GHz TO 12 GHz: 45db
..... 12 GHz TO 18 GHz: 25db
- VSWR: REFLECTIVE IN/OUT: 2.0:1
..... ABSORPTIVE IN/OUT: 2.0:1
..... ABSORPTIVE OUT/OFF: 2.0:1
- SPEED: RISE: 15ns TYPICAL, 20ns MAX.
..... FALL: 15ns TYPICAL, 20ns MAX.
..... DELAY ON: 75ns TYPICAL, 100ns MAX.
..... DELAY OFF: 75ns TYPICAL, 100ns MAX.
- POWER INPUT: (CW)+20dBm (STANDARD), +10 dBm (HIGH SPEED)
- SURVIVAL POWER: 1 WATT CW, 10 WATTS PEAK 1 usec
- CONTROL: TTL LOGIC "0"= J1-J2 ON "1"= J1-J3 ON
- POWER SUPPLY: +5V @ 100 mA MAX.
- CONNECTORS:
RF SMA FEMALE
CONTROL SOLDER PIN
- SIZE: (L) 1.2" X (W) 1.0" X (H) 0.5"
- WEIGHT: 1.5 OUNCE TYPICAL

OPTIONS:

SINGLE CONTROL WITH SOLDER STANDARD

- IND-SP INDEPENDANT CONTROL WITH SOLDER PIN (LOGIC "0" = ON "1" = OFF)
- 10M18 10 MHz TO 18 GHz (INSERTION LOSS INCREASES BY 1.5db AT 10 MHz AND 0.5db AT 18 GHz)
- 100M18 100 MHz TO 18 GHz (INSERTION LOSS INCREASES BY 1.5db AT 100 MHz AND 0.5db AT 18 GHz)
- 118 1 GHz TO 18 GHz (NO CHANGE IN INSERTION LOSS)
- 218 2 GHz TO 18 GHz (NO CHANGE IN INSERTION LOSS)
- 412 4 GHz TO 12.4 GHz (NO CHANGE IN INSERTION LOSS)
- 618 6 GHz TO 18 GHz (NO CHANGE IN INSERTION LOSS)
- 1218 12 GHz TO 18 GHz (NO CHANGE IN INSERTION LOSS)
- 100M20 100 MHz TO 20 GHz (INSERTION LOSS INCREASES BY 1.5db AT 100 MHz AND 1.0db AT 20 GHz)
- 220 2 GHz TO 20 GHz (INSERTION LOSS INCREASES BY 1.0db AT 20 GHz)
- 1020 10 GHz TO 20 GHz (INSERTION LOSS INCREASES BY 1.0db AT 20 GHz)
- B01 -12V POWER SUPPLIES (NOT AVAILABLE WITH SINGLE SUPPLY, SEE 100-4427-2)
- B02 -15V POWER SUPPLIES (NOT AVAILABLE WITH SINGLE SUPPLY, SEE 100-4427-2)
- B03 REVERSE LOGIC "1"=ON "0"=OFF
- B04 DRIVERLESS, CURRENT CONTROLLED (NOT AVAILABLE WITH SINGLE SUPPLY, SEE 100-4427-2)
- B05 HIGH SPEED, TURNON/TURNOFF 20 nsec MAXIMUM WHEN APPLICABLE OR OPTION HS
- B06 HIGH POWER - SPECIFY CW POWER, PEAK POWER, PULSE WIDTH, DUTY CYCLE, RF FREQUENCY AND BANDWIDTH
- B07 CUSTOM DESIGNED PRODUCT- SPECIFY INITIALS OF CUSTOMER
- B08 LOW VIDEO TRANSIENTS - SPECIFY VIDEO BANDWIDTH
- B09 LOW INSERTION LOSS VERSION
- B10 HIGHER ISOLATION VERSION

ENVIRONMENTAL RATINGS:

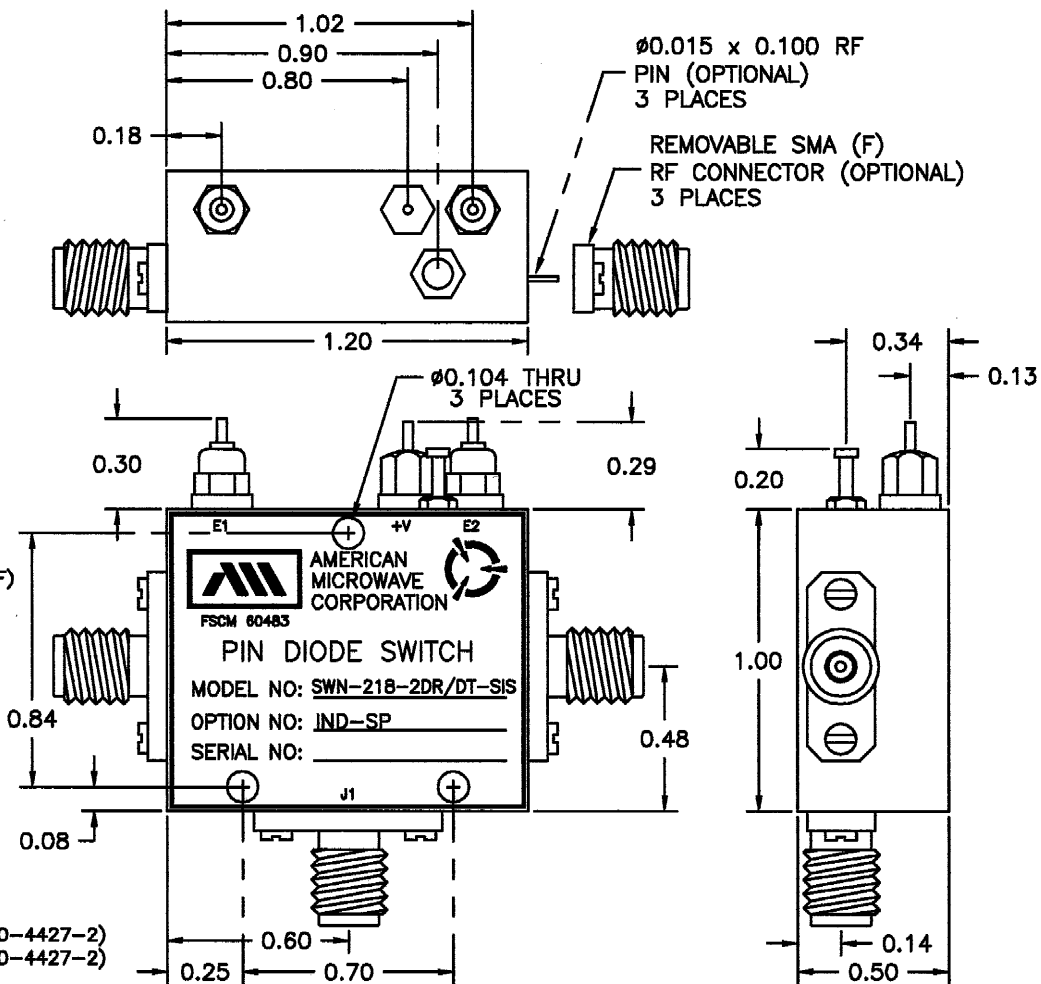
- TEMPERATURE: -55°C TO +85°C (OPERATING)
..... -65°C TO +125°C (STORAGE)
- HUMIDITY: MIL-STD-202F, METHOD 103B COND. B
- SHOCK: MIL-STD-202F, METHOD 213B COND. B
- VIBRATION: MIL-STD-202F, METHOD 204D COND. B
- ALTITUDE: MIL-STD-202F, METHOD 105C COND. B
- TEMPERATURE CYCLE: MIL-STD-202F, METHOD 107D COND. A

NOTE: THE ABOVE SPECIFICATIONS ARE SUBJECT TO CHANGE OR REVISION

ALL DIMENSIONS ARE IN INCHES
TOLERANCES:

- X.XX ±0.020
- X.XXX ±0.010

REVISIONS				
ZONE	REV.	DESCRIPTION	DATE	APPROVED
		ORIGINAL RELEASE	7/12/99	



APPROVALS		DATE	AMERICAN MICROWAVE CORPORATION FREDERICK, MARYLAND	
DRAWN		7/12/99	TITLE OUTLINE DRAWING	
CHECKED			SWN-218-2DR/DT-SIS-IND-SP REFLECTIVE OR NON-REFLECTIVE (ABSORPTIVE) SOLID STATE SWITCH	
ISSUED			SIZE	REV.
			A	
			FSCM NO. 60483	DWG NO. 100-4427-6
			SCALE N/S	SHEET 1 of 2